

Shifter Base Bushings

Fusion 4-Cyl.

Instructions for Part # 555-7094

Kit contents:

- 4 Billet Bushings
- 4 Plastic Washers



Installation Steps

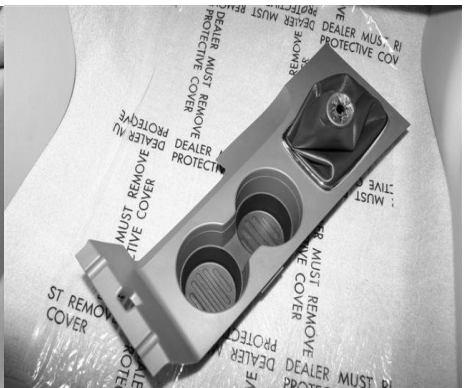
1. Remove the shifter knob by unscrewing it from the lever.
2. Remove the shifter boot/console cover by pulling up at the edges (it is secured with clips).



Step 1



Step 2

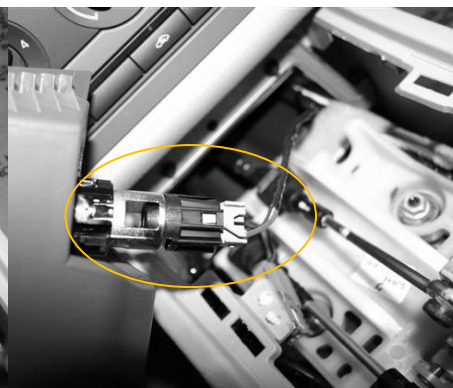


Step 2

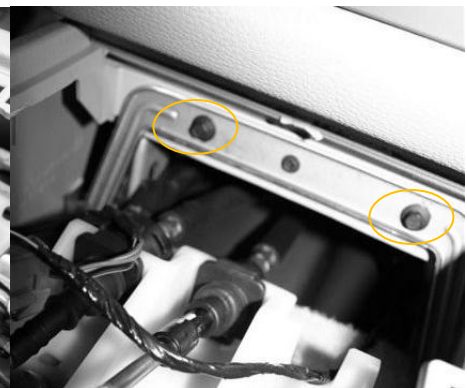
3. Remove the storage bin/12V outlet in a similar fashion.
4. Disconnect the 12V outlet power plug.
5. Remove the 2 bolts at the front of the console.



Step 3

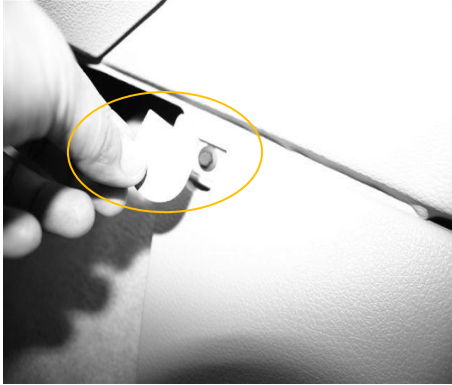


Step 4



Step 5

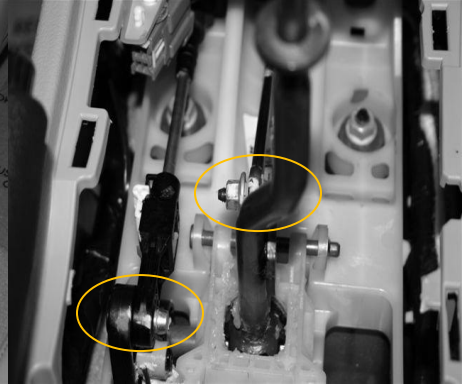
6. Remove the cover and bolt located on each side of the console at the front.
7. Slide the front seats forward and remove the bolt located on each side of the console at the rear.
8. Remove any electrical connectors attached to the console and pull the console out.
9. Remove the nut securing the control cable to the front of the shift lever.
10. Slide both control cables off of the respective studs.



Step 6

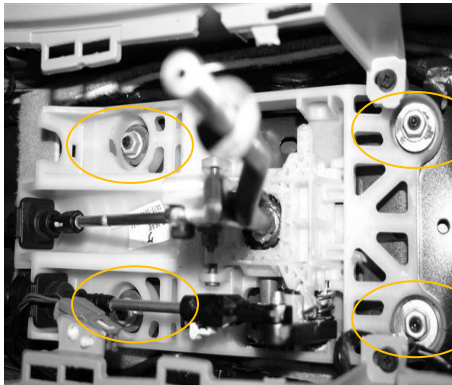


Step 7

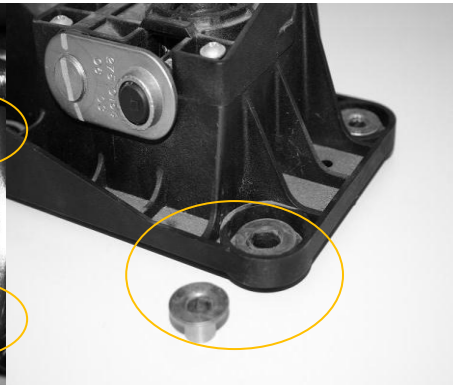


Steps 9,10

11. Remove the 4 nuts holding the shifter base to the floor.
12. Remove any electrical connectors and pull the shifter base up off of the studs.
13. Remove the steel insert and rubber bushing at each shifter base attachment point (shifter base shown is representative).



Step 11



Step 13



Step 13

14. Slide a plastic washer over each of the shifter base studs.
15. Slide the shifter base over the 4 studs.
16. Slide a billet bushing over each stud.
17. Secure the shifter base using the factory nuts.
18. Re-install all connectors, cables, and hardware in the reverse order.