



## Steeda S197 Front Lower Control Arms

Installation Instructions for Part: 555-4910, 555-4911, 555-4912, and 555-4913



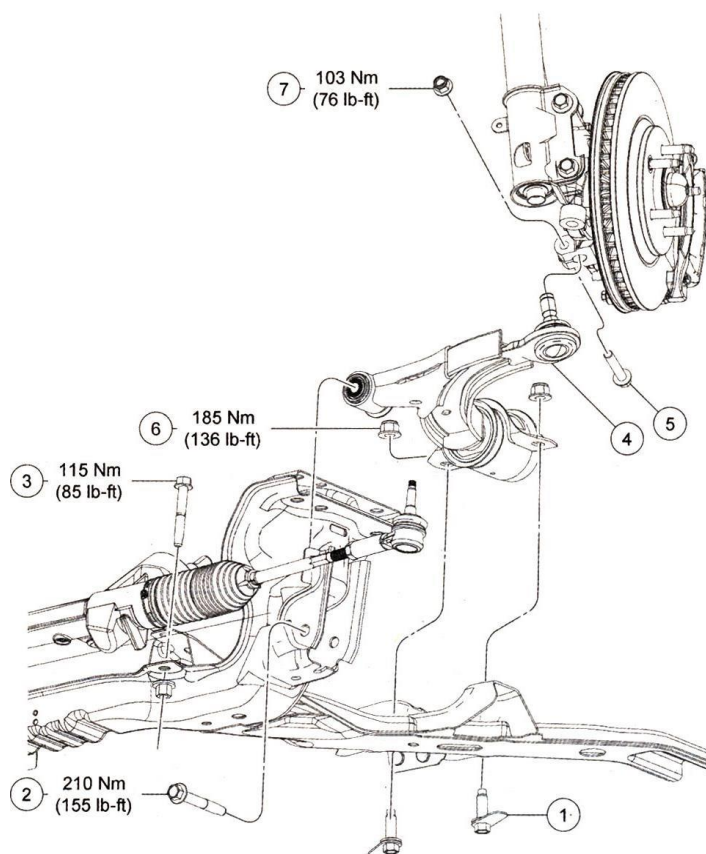
### Removal Instructions

1. Support the car on a lift or jack stands.
2. Remove the front wheels.
3. Separate the factory control arm from the knuckle (see Figure 1 #5 and #7).
4. Disconnect the tie rod from the knuckle.
5. Remove the nuts and bolts located at locations #1 and #2 in Figure 1.
6. Remove the factory control arm.

### Installation Instructions

1. Install the Steeda front lower control arm.  
**NOTE:** Reuse the factory hardware.
2. Torque all nuts and bolts to the specifications in Figure 1.

**NOTE:** An alignment is suggested after installing this part.



**Figure 1:** S197 Mustang front suspension diagram